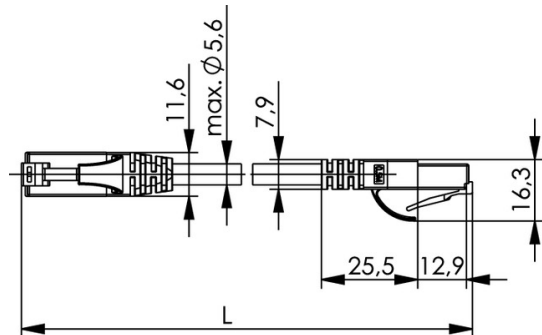


order number: L00002E0101

Patch Cord Cat.5e MP8 100-3,0 m, blue



Fig. may differ



| Technical Attributes | |
|----------------------|-------------|
| Short name | MP8 100-3,0 |
| Length | 3 m |
| Colour | blue |

Performance Characteristics

- pin assignment acc. to EIA/TIA 568B
- 360 degrees completely surround plug shielding (shielded cable types)
- flexible and strain relieved
- moulded strain relief boot

| Mechanical Characteristics | |
|---------------------------------------|-----------------------|
| Cable structure | Li2YY 4x2xAWG 24/7 |
| Jacket diameter | 5.4 mm (±0.2 mm) |
| Life (mating cycles RJ45, RJ12, RJ11) | ≥ 750 |
| Stranded wire | AWG 24 (7/0.2 mm) |
| Insulation | PE; Ø 0.96 (±0.05 mm) |

| Climatic Characteristics | |
|--------------------------|-------------|
| flame-retardant test | IEC 60332-1 |

| | |
|-----------------------------|-----------------|
| Operating temperature in °C | -20° C to 60° C |
|-----------------------------|-----------------|

| Electrical Characteristics | |
|-----------------------------------|-----------------------------------|
| PoE+ acc to IEEE 802.3at | Adequate for Power over Ethernet+ |
| Current carrying capacity at 50°C | 1 A |

| Standards | |
|-------------------------------------|---------------|
| UL 1581 FT2 (horizontal flame test) | |
| Connectors | IEC 60603-7-2 |

| Gigabit Ethernet acc. to IEEE 802.3 | Adequate for Gigabit Ethernet |
|-------------------------------------|-------------------------------|