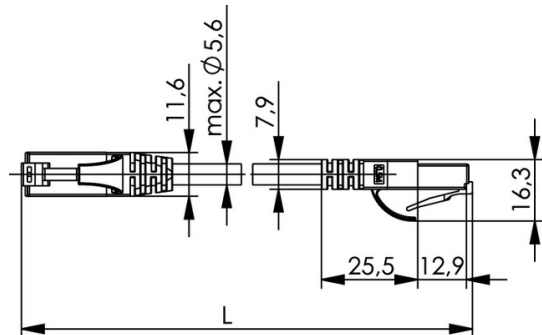


order number: L00000E0001

Patch cable U/UTP Cat.5e 1,0 m MP8 black



Fig. may differ



Technical Attributes	
Short name	MP8 100-1,0
Length	1 m
Colour	black

Performance Characteristics

- pin assignment acc. to EIA/TIA 568B
- 360 degrees completely surround plug shielding (shielded cable types)
- flexible and strain relieved
- moulded strain relief boot

Mechanical Characteristics	
Cable structure	Li2YY 4x2xAWG 24/7
Jacket diameter	5.4 mm (±0.2 mm)
Life (mating cycles RJ45, RJ12, RJ11)	≥ 750
Stranded wire	AWG 24 (7/0.2 mm)
Insulation	PE; Ø 0.96 (±0.05 mm)

Climatic Characteristics	
flame-retardant test	IEC 60332-1

Operating temperature in °C	-20° C to 60° C
-----------------------------	-----------------

Electrical Characteristics	
PoE+ acc to IEEE 802.3at	Adequate for Power over Ethernet+
Current carrying capacity at 50°C	1 A

Standards	
UL 1581 FT2 (horizontal flame test)	
Connectors	IEC 60603-7-2

Gigabit Ethernet acc. to IEEE 802.3	Adequate for Gigabit Ethernet