

order number: J00029K0051

AMJ Coupler K Cat.5e, f-f

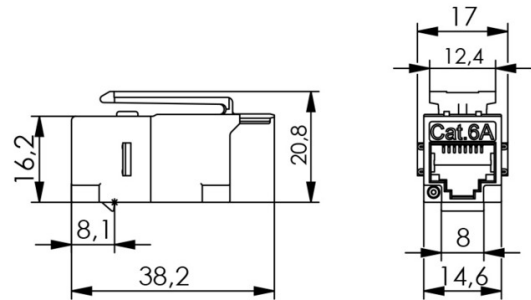


Fig. may differ

Technical Attributes	
Short name	AMJ Coupler K Cat.5e, f-f
Description	suitable for Class E Channel, 1 Gigabit Ethernet
Remarks	suitable for RJ45/11/12 plugs
Mount. dim.	Z121

Performance Characteristics

- Cat.6_A acc. to IEC 60603-7-51
- Cat.6_A re-embedded tested acc. to IEC 60512-27-100
- link certificate: Class E_A acc. to ISO/IEC 11801
- 10 Gigabit-Ethernet compliant (IEEE 802.3an)
- overbending protection: ≥750 mating cycles with RJ45/RJ11/RJ12 plugs
- suitable for PoE+ acc. to IEEE 802.3at
- suitable for switching programs from several manufacturers with design capable faceplate AMJ-S Up/0 flex
- integrated strain relief for cable O.D. to 9 mm
- universal, world-wide available installation dimension for mounting cut-outs: 19.3 x 14.7 mm
- universal, world-wide available installation dimension for mounting cut-outs: 19.3 x 14.7 mm

Mechanical Characteristics	
Life (mating cycles RJ45, RJ12, RJ11)	≥ 750

Cu-Conductor diameter: solid	0.41 - 0.64 mm AWG 26/1 - AWG 22/1
Cu-Conductor diameter: stranded	0.46 - 0.76 mm AWG 27/7 - AWG 22/7
Core Diameter	0,9 - 1,6 mm
Reusable IDC for AWG 22/1 and AWG 22/7	≤4 cycles
Reusable IDC für AWG 23/1 - AWG 26/1	≤4 cycles
Reusable IDV for AWG 24/7 - 27/7	≤4 cycles
Insertion force	≤ 30 N
Cable diameter	-
Material: insulators	PA
Material: housing	zinc diecast
Material: insulating housing	ABS alpine white
Material: snap-fit	zinc diecast
Material: shield	German silver
Material: insulators	PA
Material: PCB	FR4
Material: PCB finish	chem. tin-plated
Material: contact spring	phosphor bronze tinned
Material: contact spring finish	min. 0,8 µm (µin) Au on 1,2 µm (50µin) Ni
Material: IDC termination finish	min. 3-6 µm (120-240 µin) Sn
Material: cable clamp	PC UL94 V0

Climatic Characteristics	
UL	E244889

Electrical Characteristics	
PoE+ acc to IEEE 802.3at	PoE+
Insulation resistance	≥ 500 mΩ
Contact resistance	≤ 20 mΩ
Voltage proof: contact-contact	≥ 1000 V, DC
Voltage proof: contact-shield	≥ 1500 V, DC

Current carrying capacity at 50°C	1 A
-----------------------------------	-----

Standards	
Connectors	IEC 60603-7-5 / -7-3

Ambient temperature	
	-40° C to +85° C

Gigabit Ethernet acc. to IEEE 802.3	
	fulfilled by Cat.5e, Cat.6
Class E (Channel with Coupler Cat.6)	ISO/IEC 11801, DIN EN 50173-1
Category 6 _A (Component)	-
Class E _A (Permanent Link)	-
Class E _A (Channel)	ISO/IEC 11801, DIN EN 50173-1
Class E (Channel with Coupler Cat.6)	ISO/IEC 11801, DIN EN 50173-1
Class D (Channel with Coupler Cat.5e)	ISO/IEC 11801, DIN EN 50173-1
10 Gigabit Ethernet acc. to IEEE 802.3an	fulfilled by Cat.6